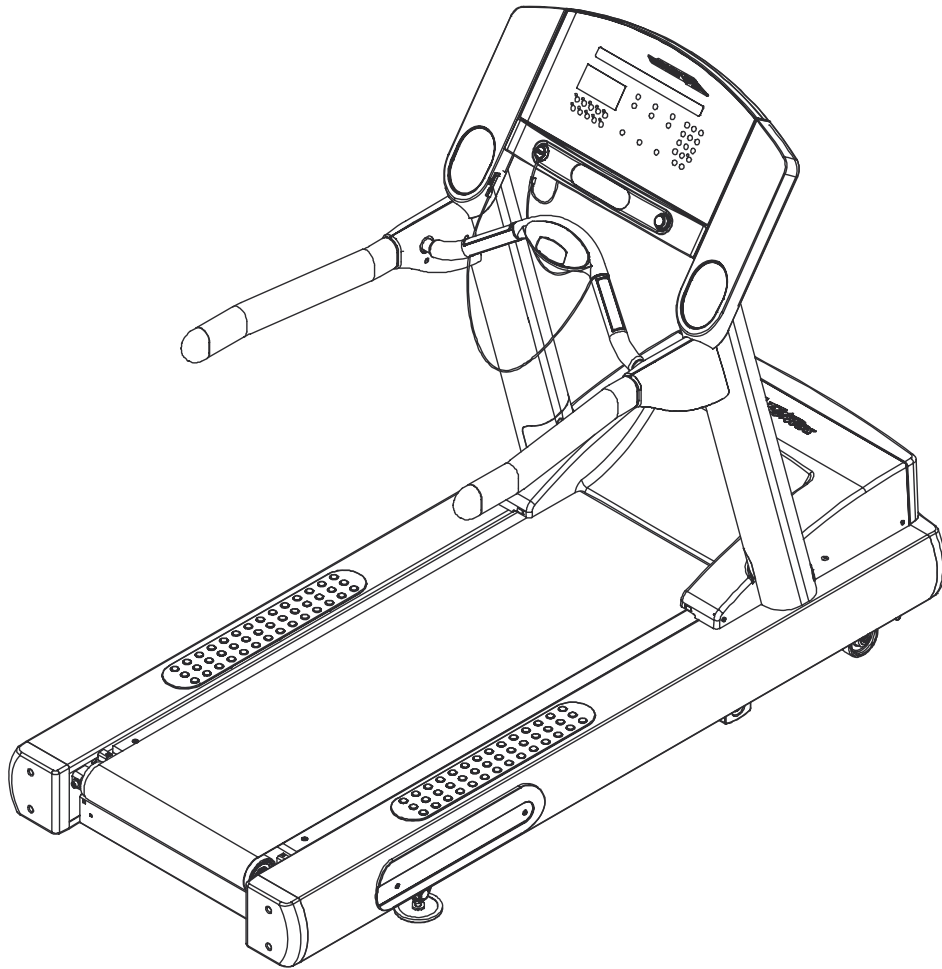


# LifeFitness

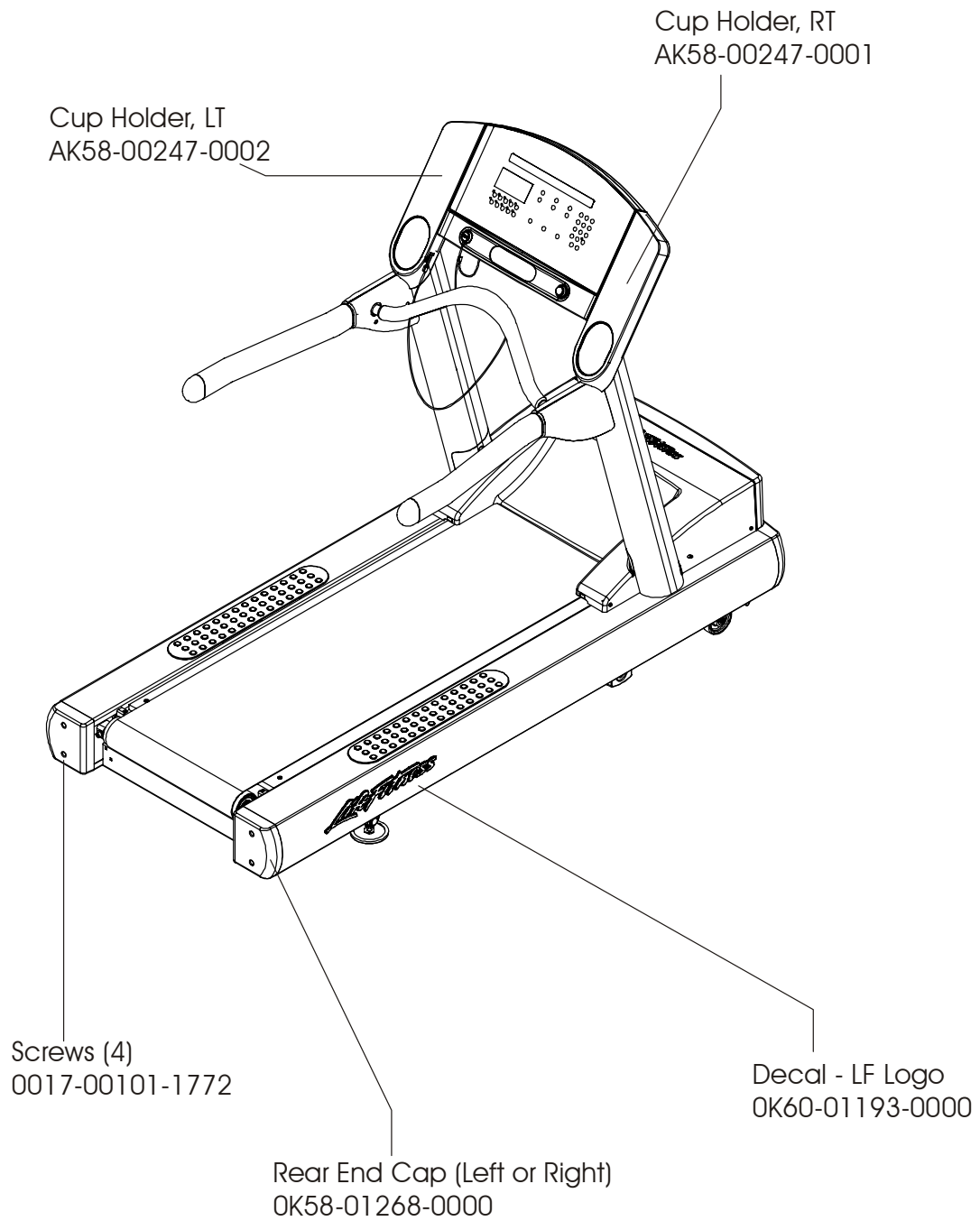
Arctic Silver 97TW Treadmill

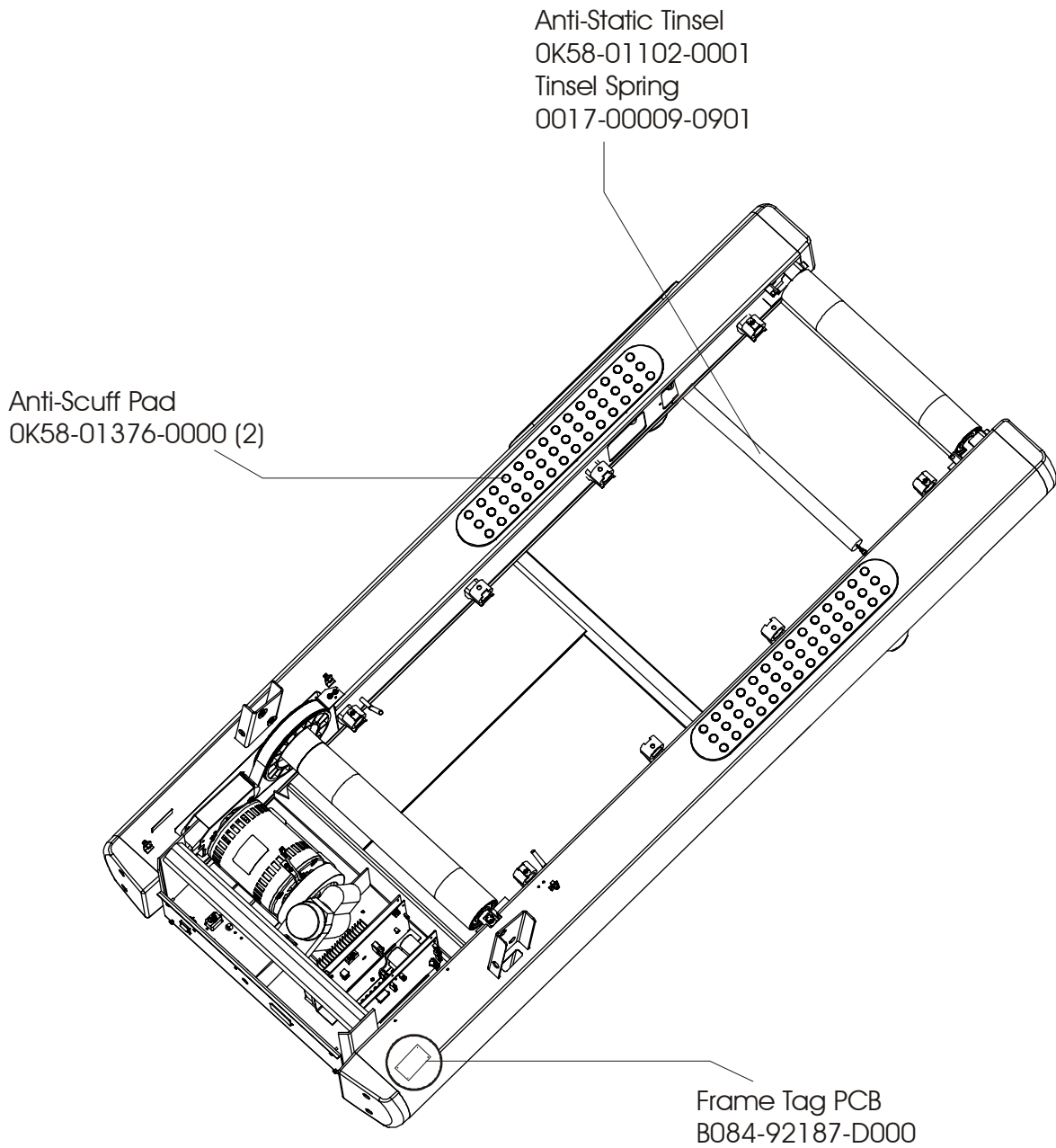


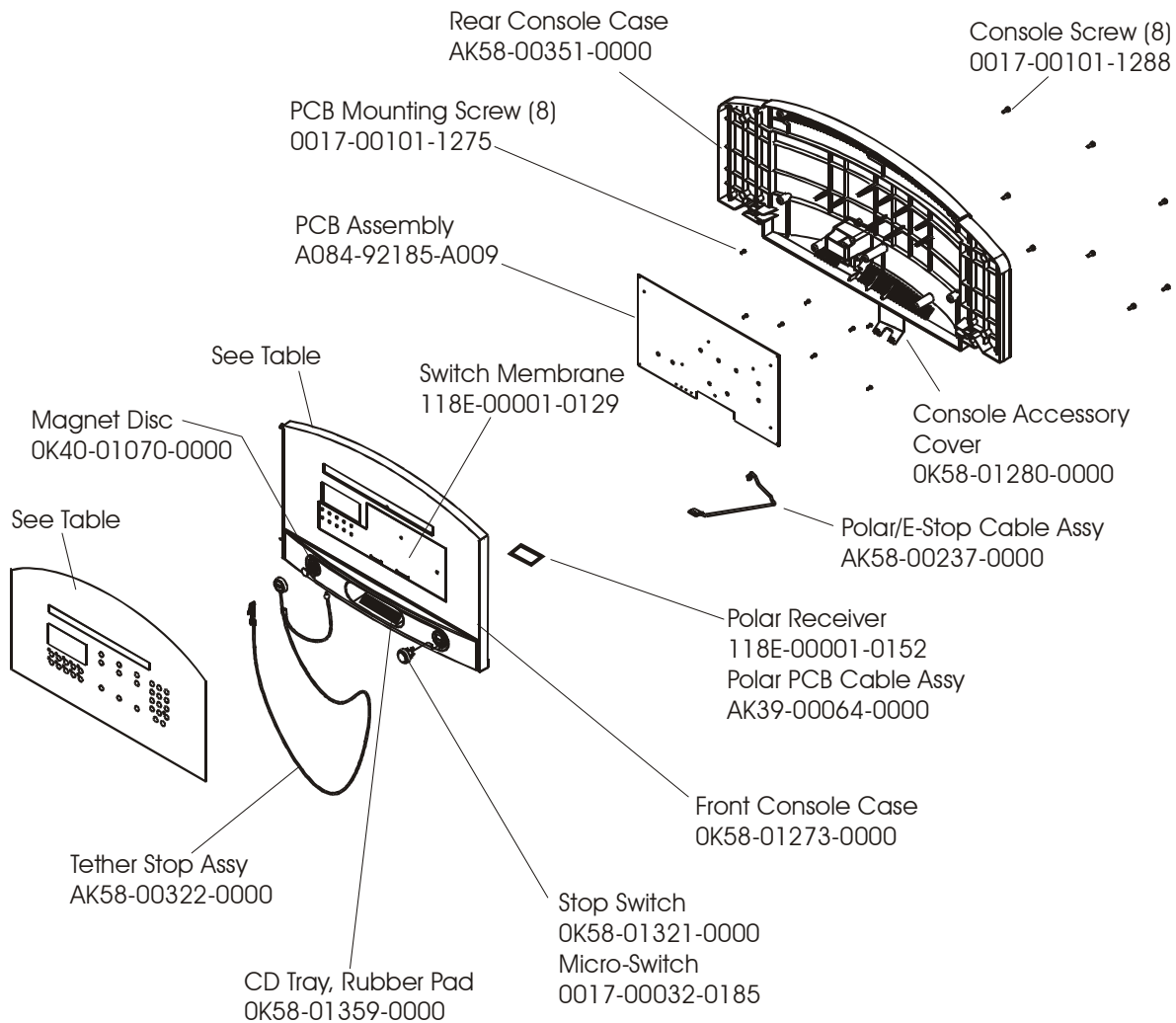
Customer Support Services  
**PARTS MANUAL** rev 07 Feb 2008

Miscellaneous .....	3
Rear End Caps and Cup Holders.....	4
Scuff Pad, Tinsel and Frame Tag Board .....	5
Console and Related Components .....	6
Uprights, Handrails, and Ergo Bar .....	7
Motor Cover, Front Cover, and End Caps.....	8
Belt, Deck and Rear Roller.....	9
Lift Frame and Motor .....	10
Wax/Lift Assembly .....	11
Motor Controller Assembly.....	12
Drive Motor Assembly.....	13
Idler Arm Assembly and Static Brush.....	14
Leg Leveler Assembly.....	15
Front Roller Assembly .....	16
Ergo Bar With Lifepulse .....	17
Power Components Schematic .....	18
Cables .....	19

Description	Part No.
OPERATION MANUAL	M051-00K58-A177
SERVICE MANUAL	M051-00K58-A159
ACCESS PLATE ASSEMBLY CONTENTS: 1) CONNECTOR PLATE 2) F TYPE CONNECTOR	AK58-00329-0000 0K58-01392-0000 0017-00021-2846
COAX CABLE	AK32-00020-0002
POWER EXT. CABLE	AK32-00078-0001
HARDWARE BAG	AK58-00226-0000
TOUCH UP PAINT: SPRAY CAN .5 OZ BOTTLE W/APPLICATOR .33 OZ PEN	0017-00008-0204 0017-00008-0205 0017-00008-0206
INSTALLATION VIDEO	M051-00K58-A160
SERVICE VIDEO	M051-00K58-A161

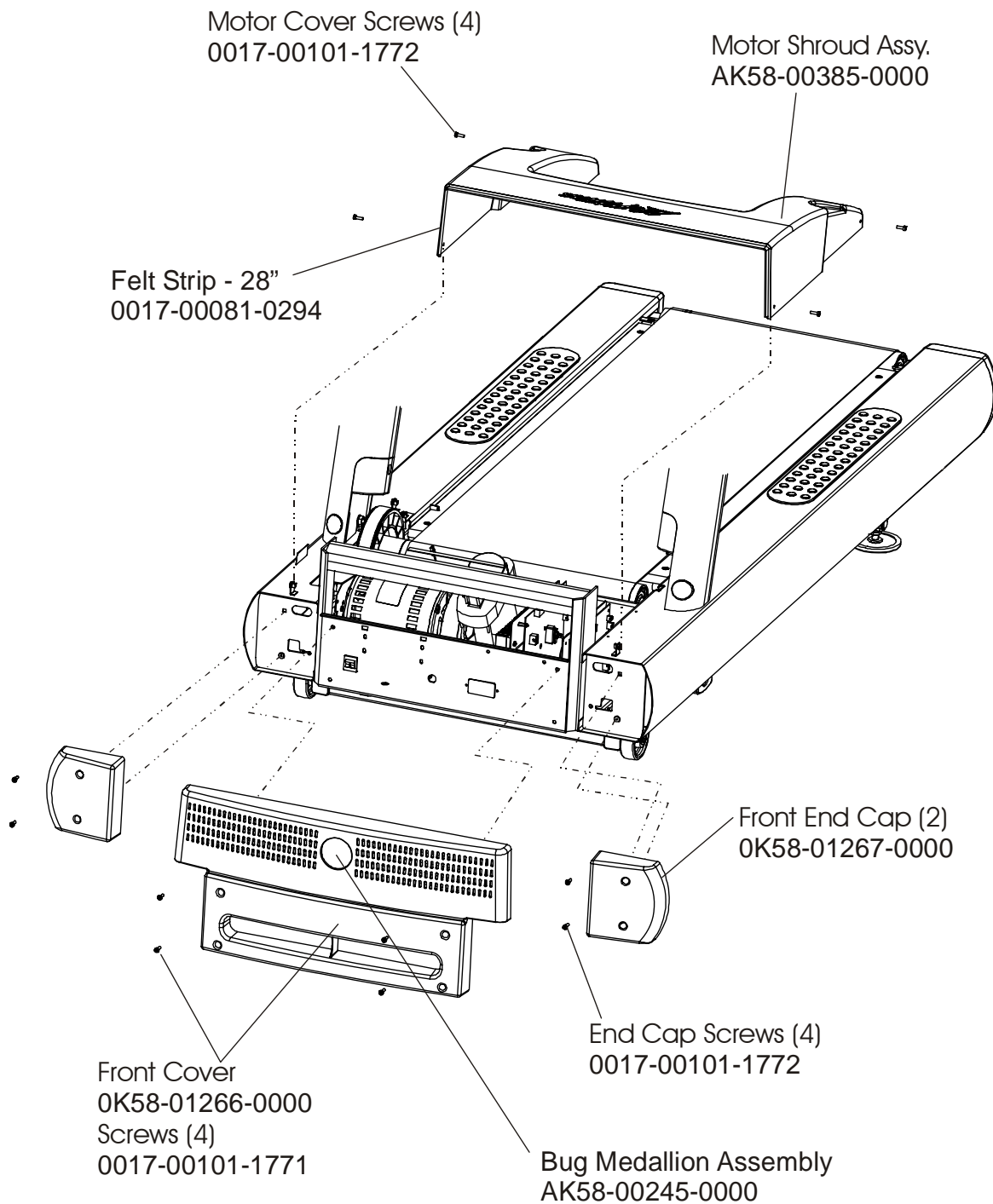




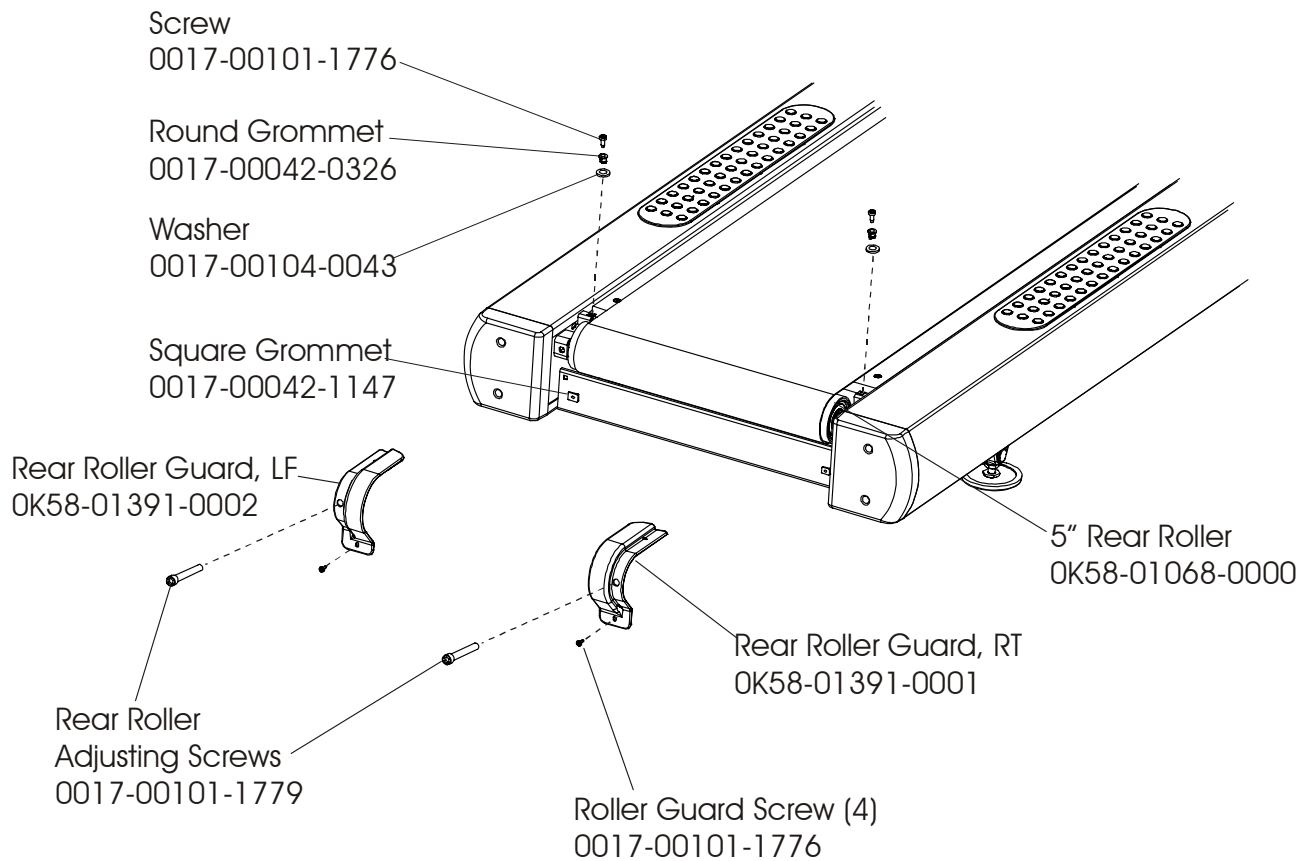
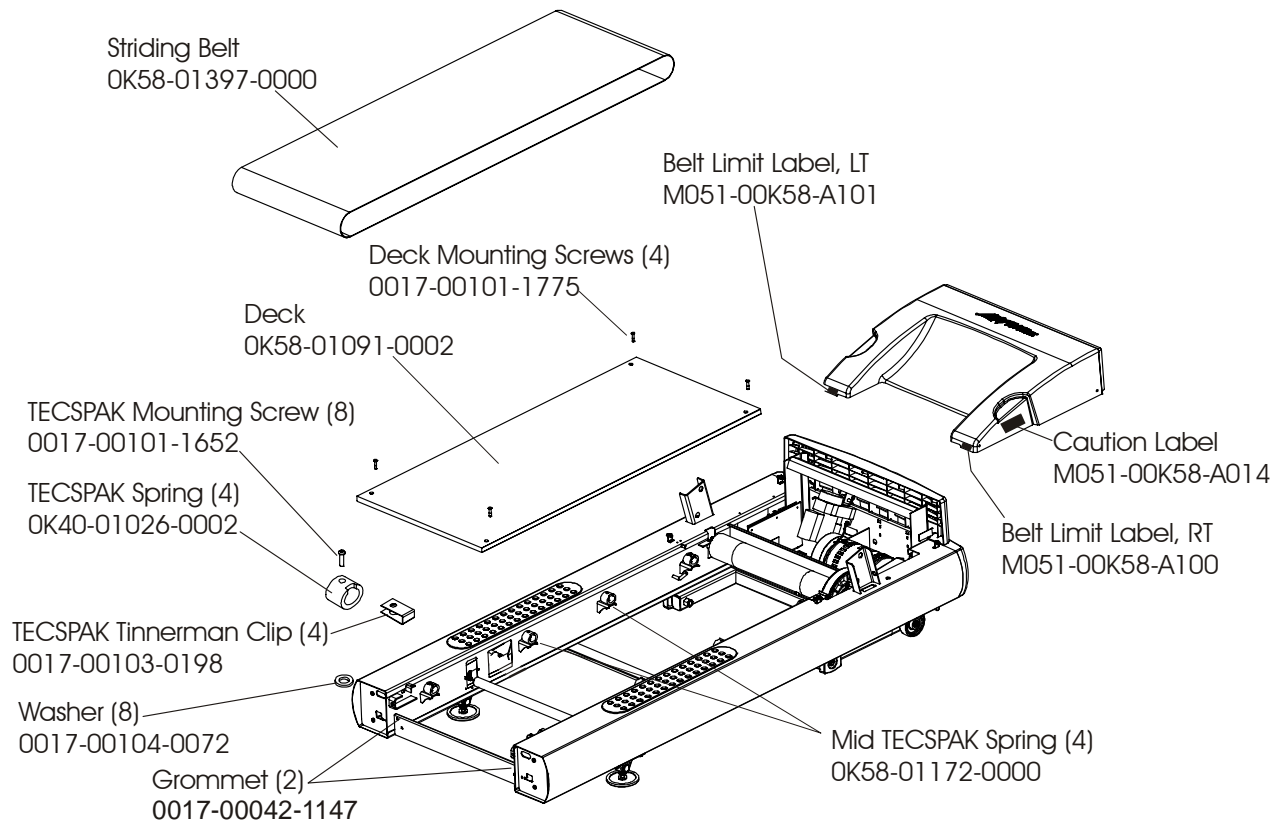


Language	Part No.		
	Console Assembly	Overlay/Bezel/ Switch Assembly	Overlay
Eng/Met	AK58-00430-0001	AK58-00202-0001	OK58-01296-0001
Eng/Eur	AK58-00430-0002	AK58-00202-0001	OK58-01296-0001
German	AK58-00430-0003	AK58-00202-0003	OK58-01296-0003
Spanish	AK58-00430-0004	AK58-00202-0004	OK58-01296-0004
Japanese	AK58-00430-0006	AK58-00202-0006	OK58-01296-0006
French	AK58-00430-0007	AK58-00202-0007	OK58-01296-0007
Italian	AK58-00430-0008	AK58-00202-0008	OK58-01296-0008
Dutch	AK58-00430-0009	AK58-00202-0009	OK58-01296-0009
Portuguese	AK58-00430-0010	AK58-00202-0010	OK58-01296-0010
Chinese			OK58-01296-0011



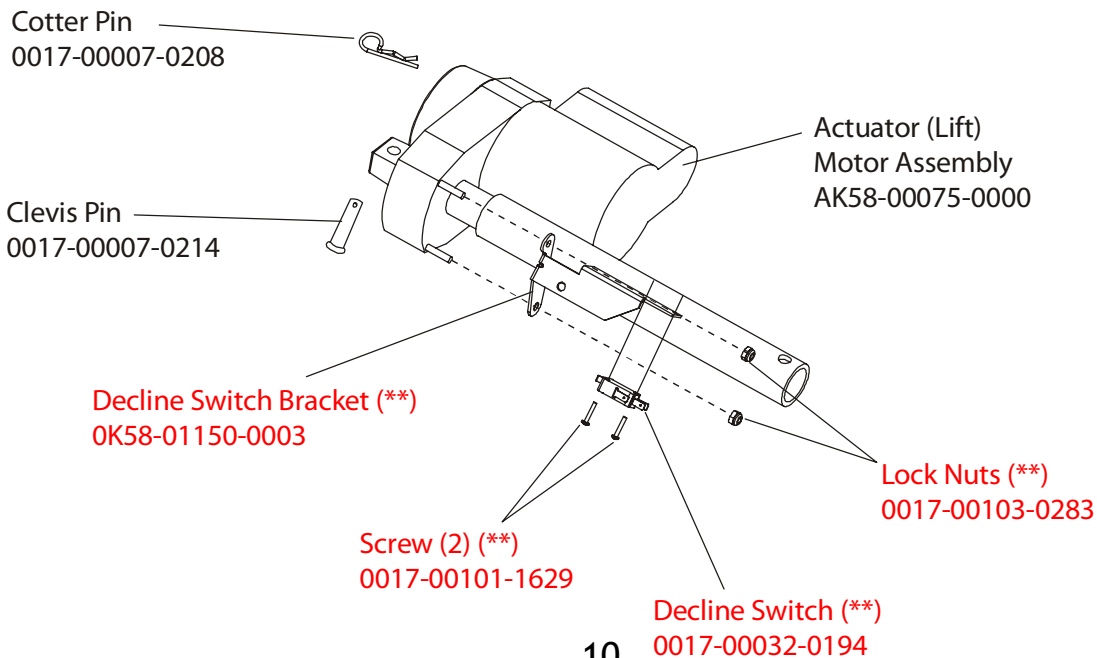
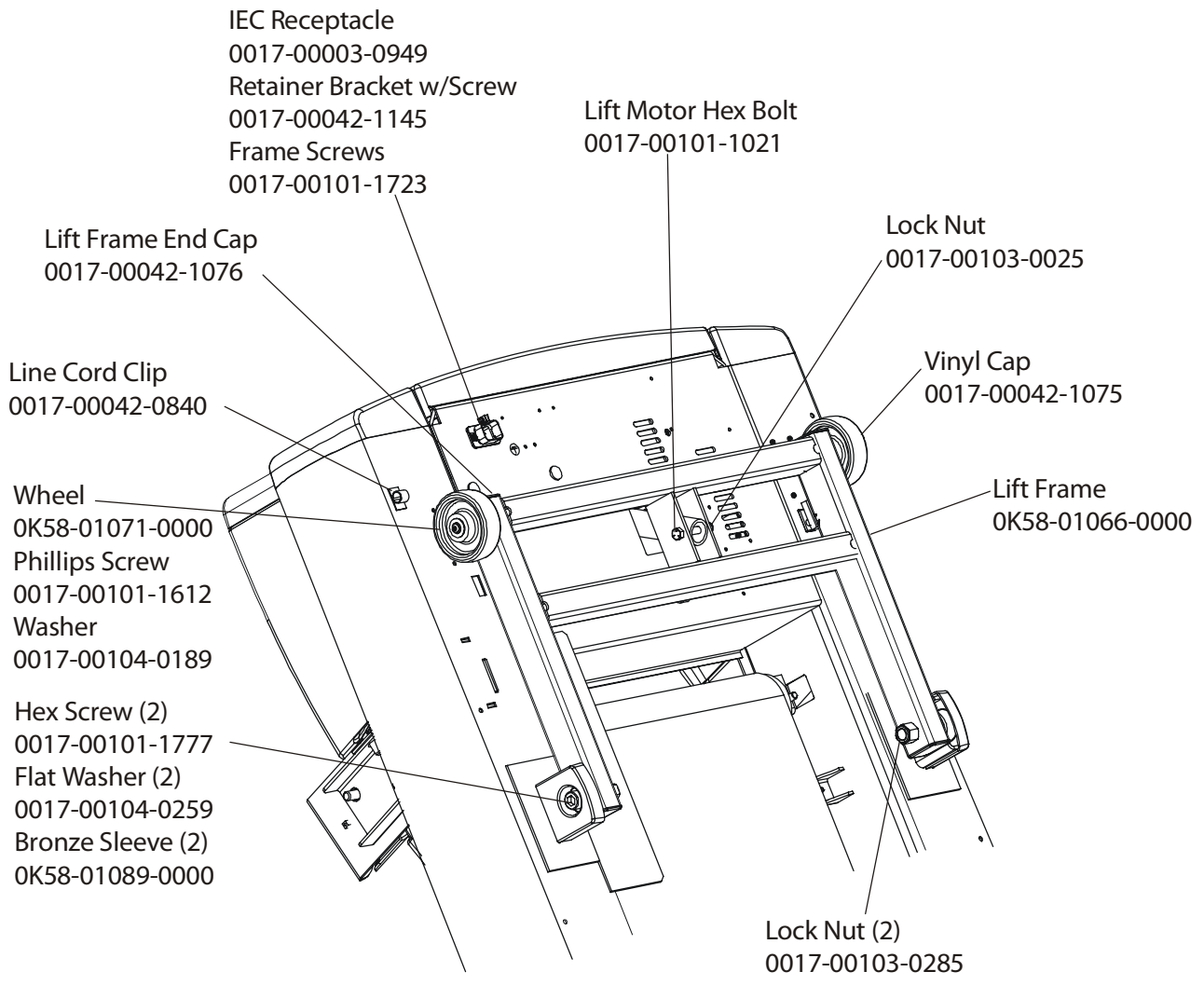




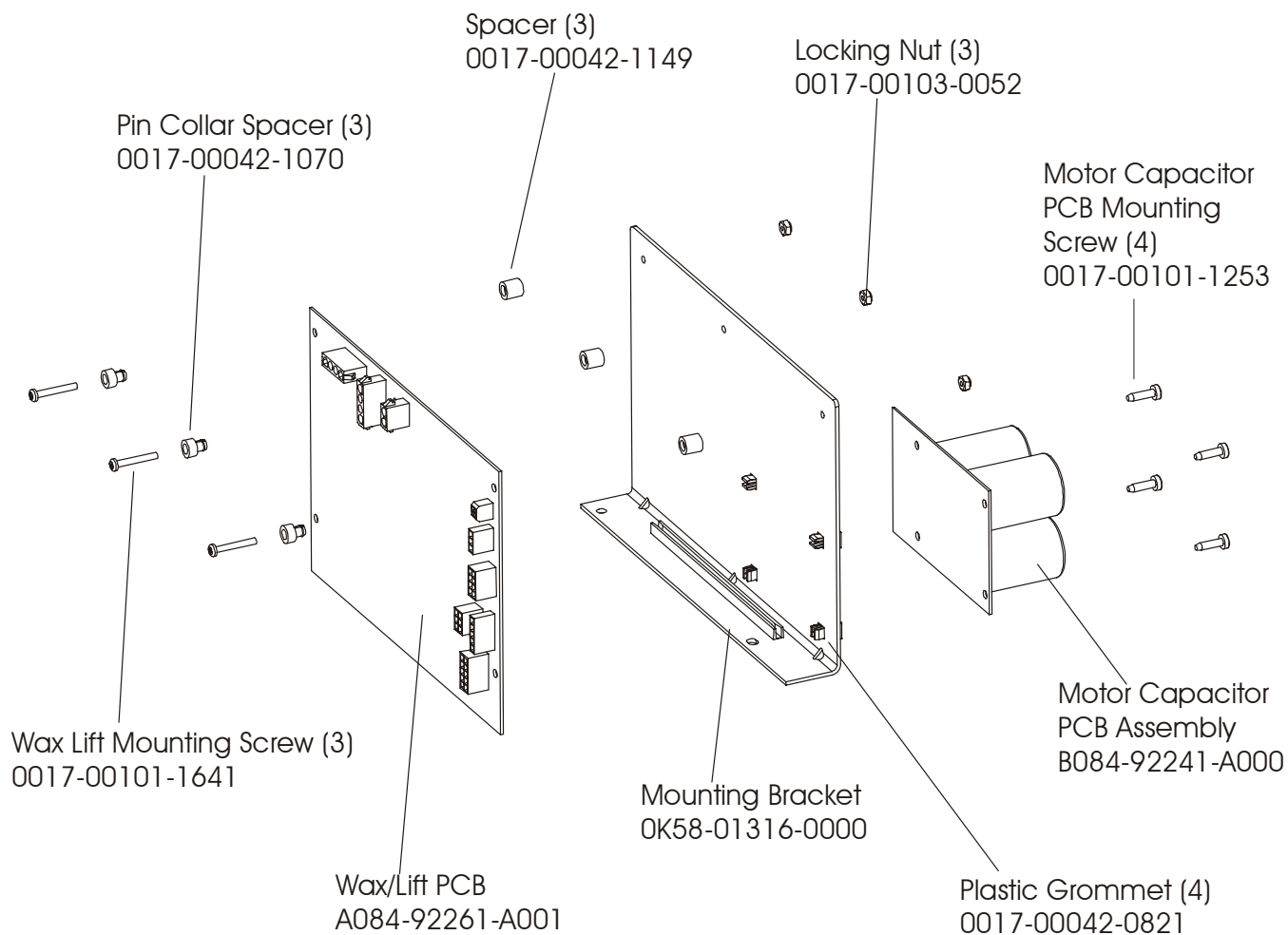


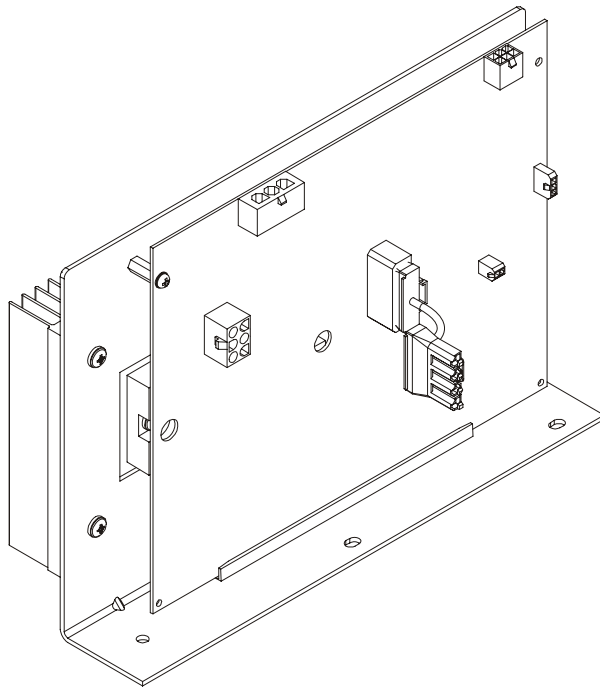
ARCTIC SILVER 97TW  
Lift Frame and Lift Motor

97TW-0XXX-04  
S/N TWG100000 and up



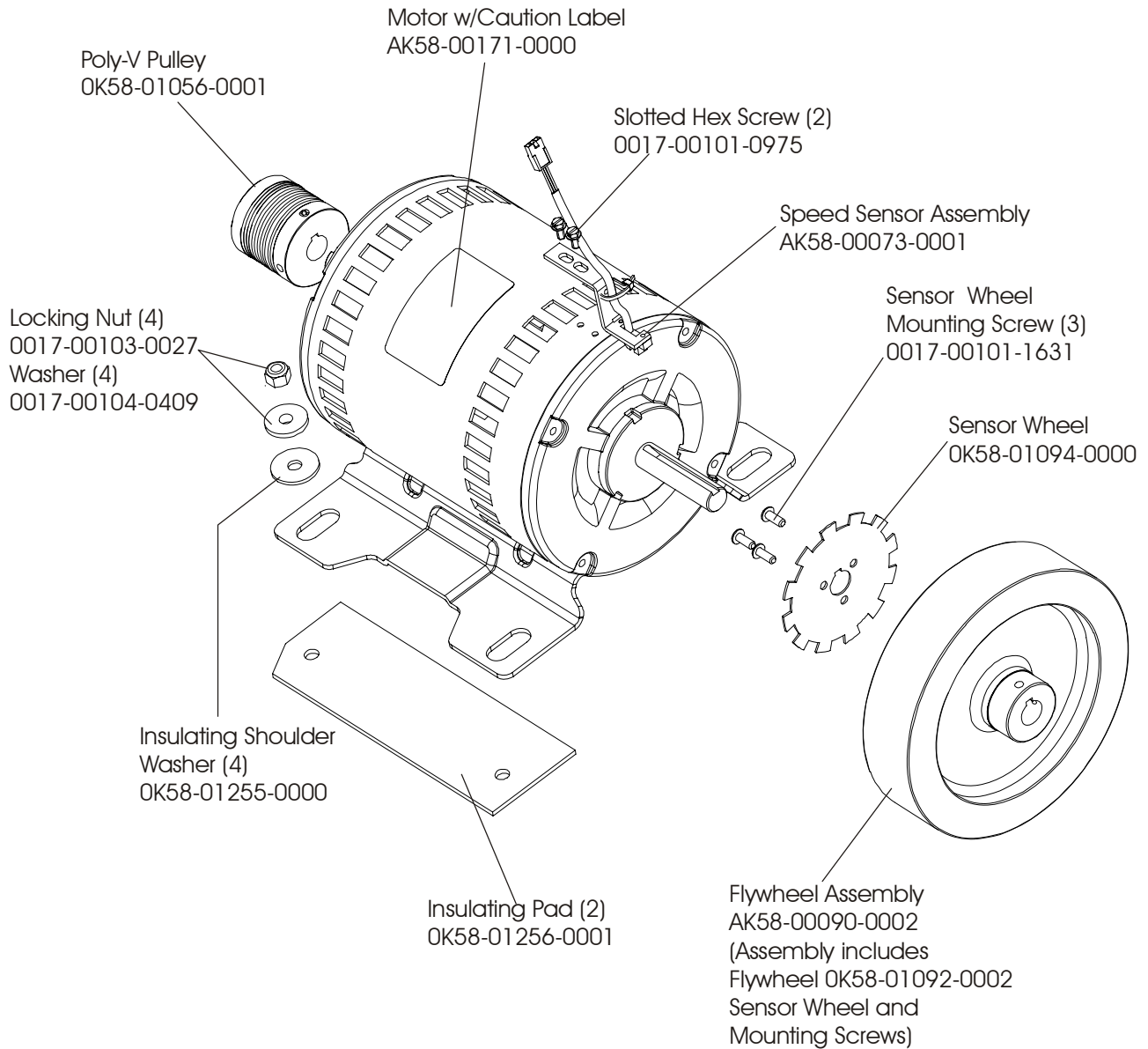
Wax/Lift Assembly  
AK58-00243-0000

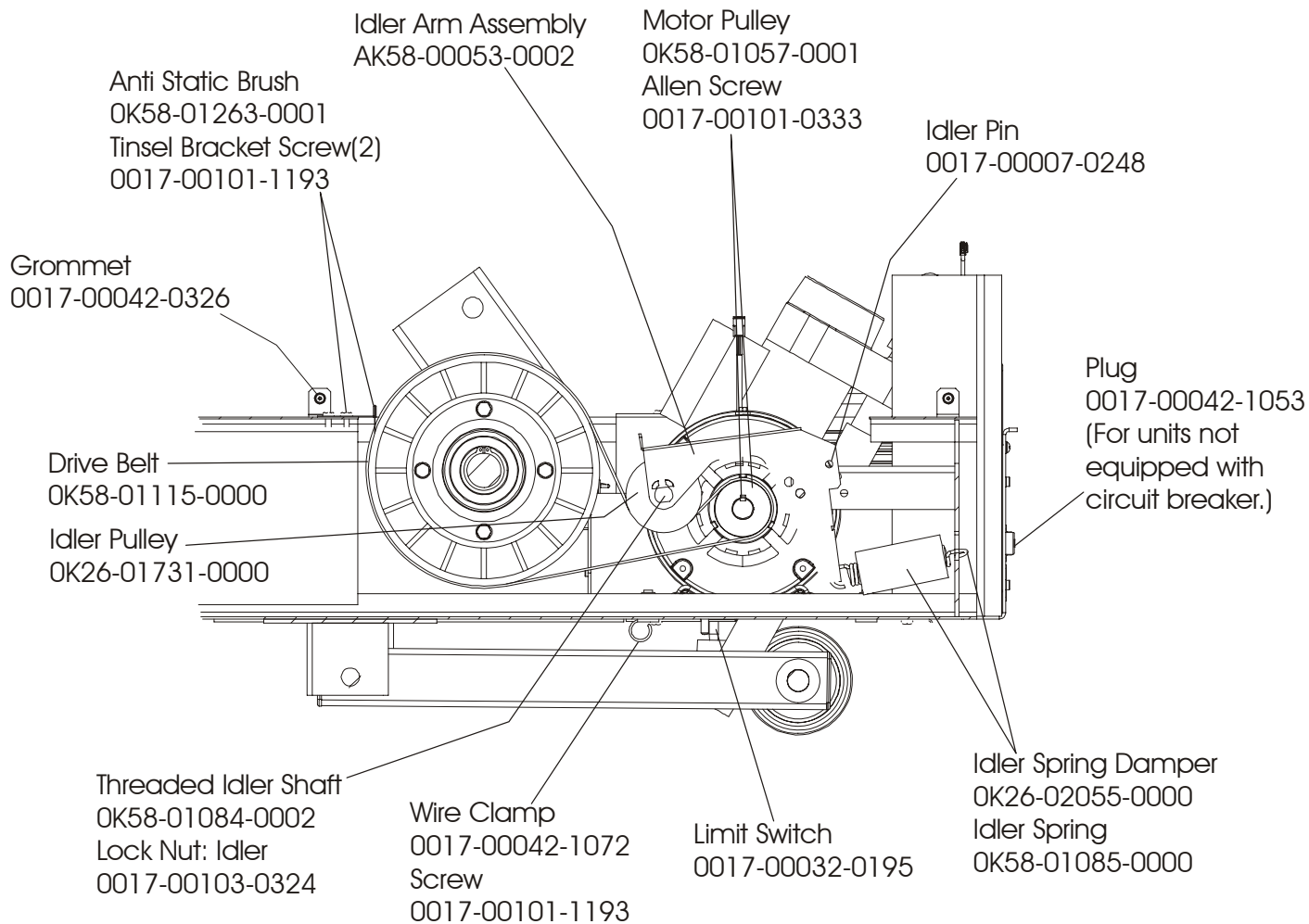




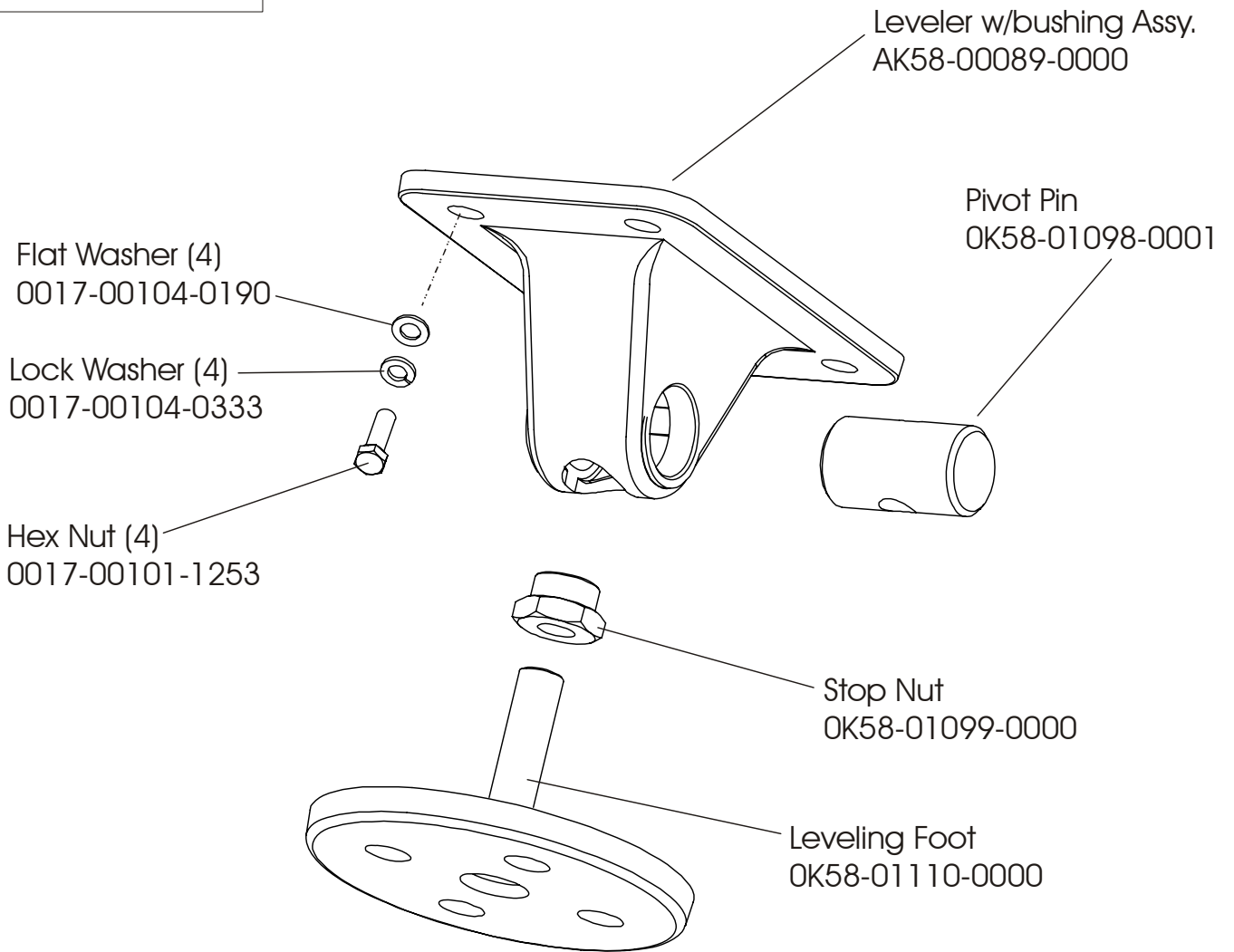
Description	Part No.
(100-120v) W/O FERRITE	AK60-00171-0000
(200-240v) W/O FERRITE	AK60-00171-0001
(100-120v) WITH FERRITE	AK60-00171-0002
(200-240v) WITH FERRITE	AK60-00171-0003

Drive Motor Assembly  
AK58-00172-0000





Leveler Assembly  
AK58-00076-0000



Front Roller Assembly  
AK58-00067-0000

